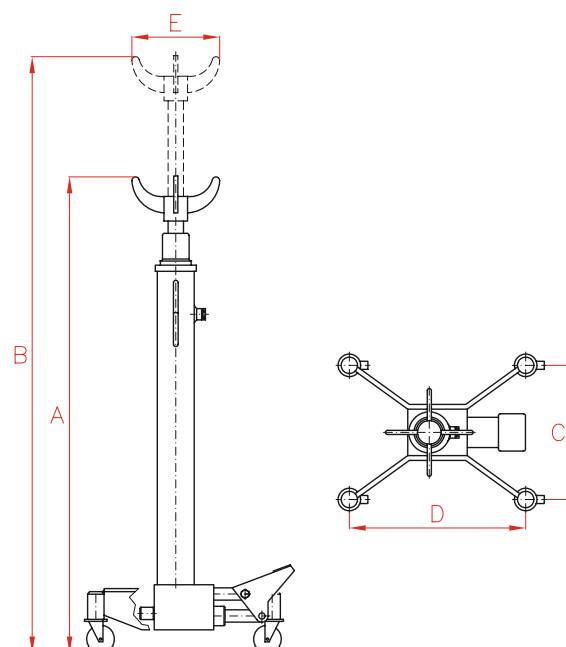


HIGH LIFT HYDRAULIC TRANSMISSION JACKS



LARZEP advantages

- From 250 to 1.500 kg lifting capacity.
- Hand operated release valve. Dead Man.
- Chrome plated piston.
- 4 castor wheels for easy manoeuvrability.
- Foot operated pump keeps hands free.
- Load saddle swivels to enable all direction operation.
- Packed in strong cardboard box.
- An adaptable head allows a variety of jobs to be undertaken safely.



Capacity	Model	A	B	C	D	E	Weight
kg	LARZEP	mm	mm	mm	mm	mm	kg
250	AF25082	1.100	1.910	440	480	315	24
500	AF50080	1.130	1.930	410	510	320	35
1.000	AF100080	1.150	1.930	530	530	370	42
1.500	AF150080	1.150	1.930	550	610	380	60