



ROTALIGN® smart EX

The high-end intrinsically safe alignment system



- System and case fully certified for hazardous areas

- ATEX/IECEx

- EX certified wireless RF module

- ROTALIGN® sensor technology

- Easy to use

- Save PDF reports to USB memory stick

ROTALIGN® smart EX

ROTALIGN® smart EX is a high-end laser shaft alignment system designed for the use in potentially explosive atmospheres. The package integrates the OPTALIGN® smart EX computer packed with powerful capabilities and the unique benefits of the 5-axis ROTALIGN® EX sensor measurement technology.

ROTALIGN® smart EX is manufactured for use in hazardous areas in accordance with ATEX and IECEx regulations.



Highlights

Wireless data transfer using the ATEX/IECEx certified EX RF module

Alignment of horizontal, vertical and and flange-mounted machines

Alignment of coupled, uncoupled and nonrotatable shafts

Alignment of cardan and spacer shafts

6-machine train alignment

Soft foot check – measure, correct and save results

UniBeam® for quick adjustment of the single laser beam

Measurement modes to suit any application: Continuous Sweep, Static, Multipoint and Pass mode

Automatic evaluation of alignment condition with TolChek® and user-defined tolerances

InfiniRange® extends detector measurement range to handle gross misalignment

Live monitoring of horizontal and vertical corrections concurrently

Tolerance envelopes for better machine correction evaluation

Fixed feet selection resolves base-bound and bolt-bound problems

Alignment targets and thermal growth values including input of dial indicator readings

Thermal growth calculator

Realistic machine graphics

High memory capacity and data protection capability

Save measurement reports as PDF to a USB memory stick

Rigid pre-assembled universal brackets and additional support posts included

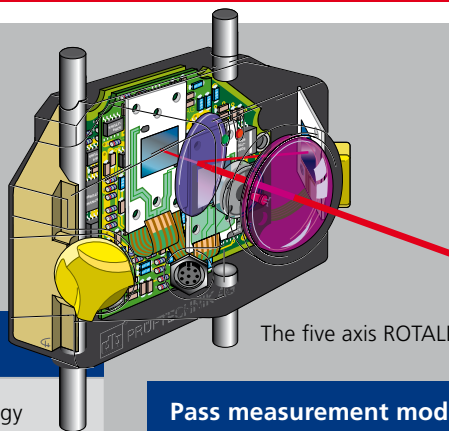
PC software ALIGNMENT CENTER is used for preparing, analyzing, archiving measurement files and printing professional reports



Unique capabilities

Live MOVE

The ROTALIGN® measurement technology allows machine corrections to be monitored concurrently in both horizontal and vertical planes with the laser and sensor mounted at any angular position. This capability is extremely useful in case of limited access to predetermined positions.



The five axis ROTALIGN® EX sensor

Pass measurement mode

The ROTALIGN® EX sensor allows the exceptional and convenient Pass measurement mode, where readings are collected when the laser passes the sensor. This mode is ideal for measurement of uncoupled shafts.



PRUFTECHNIK
Alignment Systems GmbH
Freisinger Str. 34
85737 Ismaning, Germany
Tel.: +49 89 99616-0
Fax: +49 89 99616-100
info@pruftechnik.com
www.pruftechnik.com