

Hydra Grip-O-Matic®

USE WITH 2/3 JAW PULLERS

6, 8, 11 & 30 Ton

A self contained pulling system in a compact package

BEARING MAINTENANCE



PH82K



PH303C

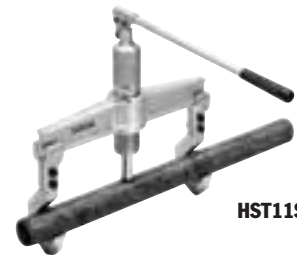


PH63C

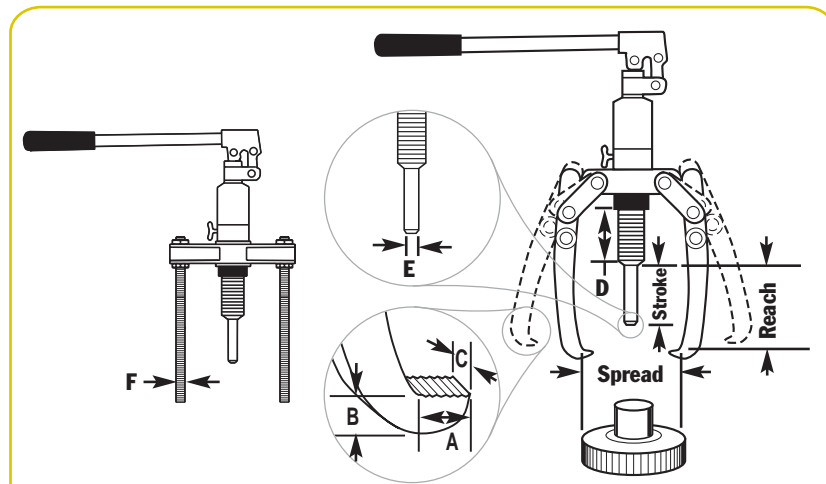


- You get the world's most copied puller design; the harder the pulling force, the tighter the jaws grip for secure holding force.
- Power Team pullers are tested for top performance and reliability at maximum capacity and jaw spread.
- Removing a wide variety of gears, bearings, bushings, pulleys and other press-fitted parts becomes a routine task.
- Easily metered release valve control knob.
- Spring loaded live centering cone.
- Bladder type oil reservoir.
- Rapid adjustment.
- Use with 2 or 3 jaws.
- Supplied with a sturdy storage/carrying case.
- Features Power Team's exclusive Marathon Limited Lifetime Warranty

Hydra Grip-O-Matic® pulling system - These pullers are ideal for pulling a wide variety of press-fitted parts including bushings, bearings, wheels, gears and pulleys. Applications can be found in a wide variety of industries as well. Grip-O-Matic® pullers have been rigorously tested for top performance and reliability. PH82K is a complete pulling system which includes a hydraulic power module, 2-way puller head, jaws, legs and bearing splitter attachment; all contained in a convenient carrying case.



HST11S



Cyl. Cap. (tons)	Order No.	Reach		Min. Reach (mm)	Max. Studs (mm)	Spread Jaws (mm)	Stroke (mm)	A (mm)	B (mm)	C (mm)	D (mm)	E (mm)	F (in.)	Wt. (kg)
		Studs (mm)	Jaws (mm)											
6	PH63C	—	152	—	—	200	80	11	6,4	22	83	22	—	4,9
8	PH83C	—	190	—	—	249	80	11	9,5	25,4	83	22	—	6,6
11	PH113C	—	229	—	—	280	80	14,3	9,5	29	83	29	—	8,0
30	PH303C	266,7	375	—	—	540	110	27	36,5	38	170	54	5/8-18 UNF	32,3
8	PH82K	266,7	207	125	300	245	80	52	25,4	16	83	22	5/8-18 UNF	9,5
11	HST11S	—	150	—	—	102-410	80	—	—	—	65	29	—	14,5

Puller

Accessories



K82



Hydra Grip-O-Matic® puller accessory kits – K82 accessory kit for the Hydra-Grip-O-Matic® puller No. PH83C. Includes 2-way puller head, 2 jaws, 2 threaded legs and sturdy carrying/storage case.

No. K82 – Accessory kit for PH83C Grip-O-Matic® hydraulic puller. K83 2/3 way head accessories kit for a Hydra Grip-O-Matic® puller No. PH83C. Includes 2/3 way puller head, 3 jaws, 3 threaded legs (5/8-18 thread) and sturdy carrying/storage case. Also can be used with 1123, 1124, 1130 pulling attachments.

No. K83 – Accessory kit for PH83C Grip-O-Matic® hydraulic puller.



K83



Puller Accessory converts PH113C into a Hydraulic Straightening Tool –

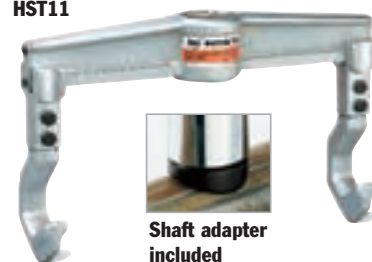
Portable...Good for straightening mechanical shafts, round bars, etc. Simply remove pump and cylinder from puller head and insert them into the straightening tool accessory. This product is widely used in steel mills, wire roll companies, wire extruding companies, textile industry, and any straightening situation where portability and power are required. Contoured heat-treated shaft adapter included.

No. HST11 – Spread: 89 to 410 mm, Reach: 150 mm. Wt., 9,5 kg.

Long jaw set for PH83C and PH113C Grip-O-Matic® pullers – This long jaw set is the perfect addition to the PH83C or PH113C Grip-O-Matic® hydraulic pullers. The extra long jaws give you the added capability of pulling a wider variety of parts. Jaw capacity is 8 tons when used with the PH83C puller; 15 tons when used with the PH113C puller.

No. 1188 – Spread: 280 to 317 mm, Reach: 317 mm.

HST11



Shaft adapter included

