

TORQUE WRENCH

LOW CLEARANCE - TWLC

Max Torque 39,047 Nm at 700 bar
(28,800 lb-ft at 10,000 psi)



Shown with optional handle

TORQUE WRENCH LOW CLEARANCE

The TWLC Series Wrench was designed for the most inaccessible bolting areas found in the industry. Its long neck, short height and small radius have all added to its great success.



Several link sizes are available for each drive.

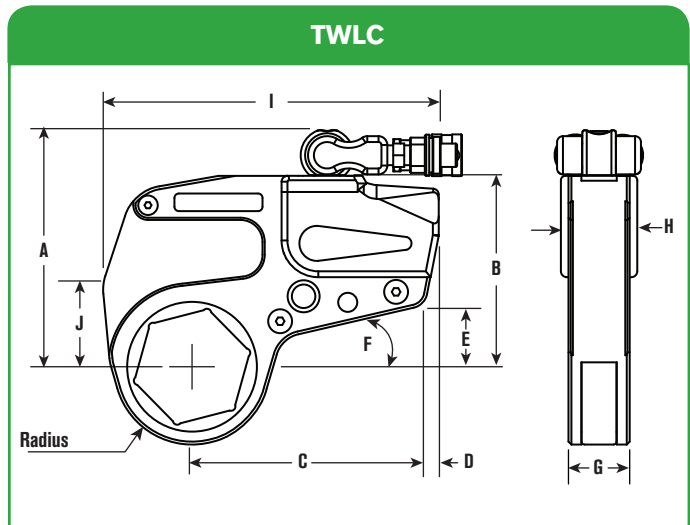
Combine a drive body with a link to make a wrench. Each are sold separately.

OK FOR SUBSEA



Specifications and Dimensional Data

- Low weight, high strength design
- Superior torsional strength
- Fast operation cycle
- Fine tooth ratchet
- Floating piston design
- Link pin does not fall out
- Auto-connect drive piston
- Compact frame size
- Rigid steel body construction
- Swivel manifold internal relief valve prevents retract side over-pressurization
- "Hardened" steel reaction pad on TWLC8, 15 & 30
- Small nose radius
- Corrosion resistant finish
- Multi-axis high flow swivel manifold
- Simple design
- Consistent torque output



- Quick interchangeable heads, no tools necessary
- Replaceable reaction pad on larger models

| Body Order No. | A | | B | | C | | D | | E | | F | | G | | H | |
|----------------|-----|-----|-----|-----|------|-----|-----|------|-----|----|-----|----|-----|----|-----|----|
| | in | mm | in | mm | in | mm | in | mm | in | mm | in | mm | in | mm | in | mm |
| TWLC2 | 3.8 | 97 | 4.1 | 103 | 5 | 128 | 0.3 | 8 | 1.4 | 35 | 0.5 | 13 | 1.3 | 32 | 1.7 | 42 |
| TWLC4 | 4.7 | 120 | 5.1 | 130 | 6.3 | 159 | 0.4 | 9 | 1.7 | 43 | 0.5 | 13 | 1.7 | 42 | 2 | 52 |
| TWLC8 | 5.8 | 147 | 6.2 | 158 | 7 | 177 | 1 | 24.5 | 1.6 | 40 | 0.6 | 14 | 2.1 | 54 | 2.6 | 67 |
| TWLC15 | 6.9 | 174 | 7.3 | 186 | 7.9 | 200 | 1.1 | 27 | 1.7 | 43 | 0.6 | 14 | 2.5 | 63 | 3 | 76 |
| TWLC30 | 8.8 | 223 | 9.4 | 239 | 10.5 | 267 | 1 | 26 | 2.4 | 62 | 0.6 | 15 | 3.2 | 82 | 3.7 | 94 |

| Body Order No. | Hex Range | | | | Min Torque | | Max. Torque | | Weight (Body Only) | |
|----------------|-----------|---------|----|-----|------------|-------|-------------|--------|--------------------|------|
| | in | in | mm | mm | lb. ft. | Nm | lb-ft | Nm | lb | kg |
| TWLC2 | 1-1/8 | 2-3/8 | 26 | 60 | 189 | 256 | 1,575 | 2,134 | 2.2 | 1.0 |
| TWLC4 | 1-5/16 | 3-1/8 | 33 | 80 | 477 | 646 | 3,975 | 5,386 | 4.4 | 2.0 |
| TWLC8 | 1-7/8 | 3-15/16 | 49 | 100 | 954 | 1,293 | 7,950 | 10,772 | 7.7 | 3.5 |
| TWLC15 | 2-7/16 | 4-5/8 | 62 | 116 | 1,782 | 2,415 | 14,850 | 20,122 | 15.4 | 7.0 |
| TWLC30 | 3-1/8 | 6-1/16 | 80 | 155 | 3,456 | 4,683 | 28,800 | 39,024 | 31.9 | 14.5 |

CAUTION: Always read operating manual before using for proper use of tools and accessories.

NOTE: Reference dimensions shown and vary by links size. Exact dimensions can be found on our website.

Ordering Information

TO SPECIFY A TWLC SOLUTION:

1. Find a link for your application (nut size) (page 28-29)
2. Choose the appropriate Drive body (page 27)
3. Add reducers for additional nut sizes (pages 30-31)

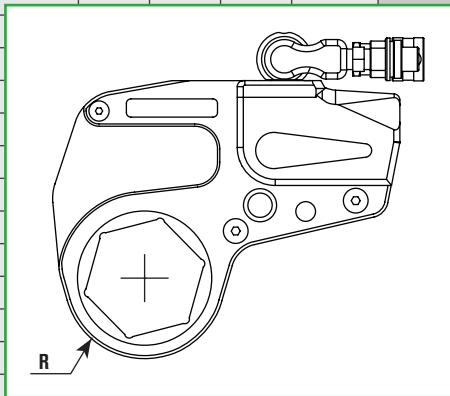
Please order Drive Body and Link separately and pay attention to the same size, for Example TWLC2 and TWL2-041.

TORQUE WRENCH

LOW CLEARANCE LINKS - TWLC

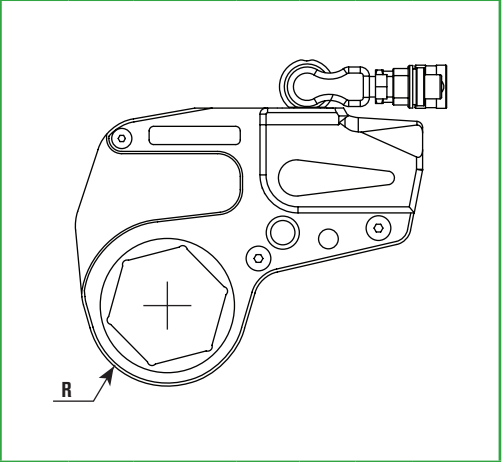
Parts Codes, Nose Radius

| Nut A/F | | Link Order No. | TWLC2 | | | | Link Order No. | TWLC4 | | | | Link Order No. | TWLC8 | | | | | | | |
|---------|--------|----------------|------------------------|-----------------|-----------------|-------------------------------------|----------------|------------------------|-----------------|-----------------|-------------------------------------|----------------|------------------------|-----------------|-----------------|-------------------------------------|--|--|--|--|
| Inch | Metric | | Radius R mm (in) | I mm (in) | J mm (in) | Weight (Link Only) kg (lb) | | Radius R mm (in) | I mm (in) | J mm (in) | Weight (Link Only) kg (lb) | | Radius R mm (in) | I mm (in) | J mm (in) | Weight (Link Only) kg (lb) | | | | |
| 1-1/8 | 26 | TWL2-026 | | | | | | | | | | | | | | | | | | |
| 1-3/16 | 30 | TWL2-030 | | | | | | | | | | | | | | | | | | |
| 1-1/4 | 32 | TWL2-032 | 31.5 (1.2) | 180 (7.1) | 38 (1.5) | 2 (4.4) | | | | | | | | | | | | | | |
| 1-5/16 | 33 | TWL2-033 | | | | | | | | | | | | | | | | | | |
| 1-3/8 | 35 | TWL2-035 | | | | | | | | | | | | | | | | | | |
| 1-7/16 | 36 | TWL2-036 | | | | | | | | | | | | | | | | | | |
| 1-1/2 | 38 | TWL2-150 | | | | | | | | | | | | | | | | | | |
| 1-9/16 | 40 | TWL2-040 | 34.5 (1.4) | 181 (7.1) | 40 (1.6) | 2 (4.4) | | | | | | | | | | | | | | |
| 1-5/8 | 41 | TWL2-041 | | | | | | | | | | | | | | | | | | |
| 1-11/16 | 43 | TWL2-043 | | | | | | | | | | | | | | | | | | |
| 1-3/4 | 44 | TWL2-044 | 37 (1.5) | 183 (7.2) | 40 (1.6) | 2 (4.4) | | | | | | | | | | | | | | |
| 1-13/16 | 46 | TWL2-046 | | | | | | | | | | | | | | | | | | |
| 1-7/8 | | TWL2-188 | 40 (1.6) | 185 (7.3) | 43 (1.7) | 2 (4.4) | | | | | | | | | | | | | | |
| 1-15/16 | 49 | TWL2-049 | | | | | | | | | | | | | | | | | | |
| 2 | 50 | TWL2-050 | | | | | | | | | | | | | | | | | | |
| 2-1/16 | 52 | TWL2-052 | 42.5 (1.7) | 185 (7.3) | 43 (1.7) | 2 (4.4) | | | | | | | | | | | | | | |
| 2-1/8 | 54 | TWL2-054 | | | | | | | | | | | | | | | | | | |
| 2-3/16 | 55 | TWL2-055 | | | | | | | | | | | | | | | | | | |
| 2-1/4 | 57 | TWL2-057 | 45.5 (1.8) | 185 (7.3) | 43 (1.7) | 2 (4.4) | | | | | | | | | | | | | | |
| 2-5/16 | 59 | TWL2-059 | | | | | | | | | | | | | | | | | | |
| 2-3/8 | 60 | TWL2-060 | | | | | | | | | | | | | | | | | | |
| 2-7/16 | 62 | | | | | | | | | | | | | | | | | | | |
| 2-1/2 | 63 | | | | | | | | | | | | | | | | | | | |
| 2-9/16 | 65 | | | | | | | | | | | | | | | | | | | |
| 2-5/8 | 67 | | | | | | | | | | | | | | | | | | | |
| 2-11/16 | 68 | | | | | | | | | | | | | | | | | | | |
| 2-3/4 | 70 | | | | | | | | | | | | | | | | | | | |
| 2-13/16 | 71 | | | | | | | | | | | | | | | | | | | |
| 2-7/8 | 73 | | | | | | | | | | | | | | | | | | | |
| 2-15/16 | 75 | | | | | | | | | | | | | | | | | | | |
| 3 | 77 | | | | | | | | | | | | | | | | | | | |
| 3-1/16 | 78 | | | | | | | | | | | | | | | | | | | |
| 3-1/8 | 80 | | | | | | | | | | | | | | | | | | | |
| 3-3/16 | 81 | | | | | | | | | | | | | | | | | | | |
| 3-1/4 | 83 | | | | | | | | | | | | | | | | | | | |
| 3-5/16 | 84 | | | | | | | | | | | | | | | | | | | |
| 3-3/8 | 85 | | | | | | | | | | | | | | | | | | | |
| 3-7/16 | 87 | | | | | | | | | | | | | | | | | | | |
| 3-1/2 | 89 | | | | | | | | | | | | | | | | | | | |
| | 90 | | | | | | | | | | | | | | | | | | | |
| 3-9/16 | 91 | | | | | | | | | | | | | | | | | | | |
| 3-5/8 | 92 | | | | | | | | | | | | | | | | | | | |
| 3-11/16 | 94 | | | | | | | | | | | | | | | | | | | |
| 3-3/4 | 95 | | | | | | | | | | | | | | | | | | | |
| 3-13/16 | 97 | | | | | | | | | | | | | | | | | | | |
| 3-7/8 | 99 | | | | | | | | | | | | | | | | | | | |
| 3-15/16 | 100 | | | | | | | | | | | | | | | | | | | |



MORE SOLUTIONS ON NEXT PAGE

| Nut A/F | | Link Order No. | TWLC15 | | | | TWLC30 | | | | Nut A/F | | Link Order No. | TWLC30 (Continued) | | | |
|---------|--------|----------------|----------|---------|---------|--------------------|----------|---------|---------|--------------------|---------|--------|----------------|--------------------|---------|---------|--------------------|
| Inch | Metric | | Radius R | I | J | Weight (Link Only) | Radius R | I | J | Weight (Link Only) | Inch | Metric | | Radius R | I | J | Weight (Link Only) |
| | | | mm (in) | mm (in) | mm (in) | kg (lb) | mm (in) | mm (in) | mm (in) | kg (lb) | | | mm (in) | mm (in) | mm (in) | kg (lb) | |
| 2-7/16 | 62 | TWL15-062 | | | | | | | | | 4-13/16 | 122 | TWL30-122 | | | | |
| 2-1/2 | 63 | TWL15-063 | | | | | | | | | | 123 | TWL30-123 | | | | |
| 2-9/16 | 65 | TWL15-065 | 60.5 | 313 | 88 | 12.5 | | | | | 4-7/8 | 124 | TWL30-124 | 99 | 400 | 109 | 28.5 |
| 2-5/8 | 67 | TWL15-067 | (2.4) | (12.3) | (3.5) | (27.5) | | | | | 4-15/16 | 125 | TWL30-125 | (3.9) | (15.7) | (4.3) | (62.7) |
| 2-11/16 | 68 | TWL15-068 | | | | | | | | | 5 | 127 | TWL30-500 | | | | |
| 2-3/4 | 70 | TWL15-070 | | | | | | | | | 5-1/16 | 129 | TWL30-129 | | | | |
| 2-13/16 | 71 | TWL15-071 | | | | | | | | | 5-1/8 | 130 | TWL30-130 | | | | |
| 2-7/8 | 73 | TWL15-073 | 63 | 313 | 88 | 12.5 | | | | | 5-3/16 | 132 | TWL30-132 | 105 | 400 | 109 | 28.5 |
| 2-15/16 | 75 | TWL15-075 | (2.5) | (12.3) | (3.5) | (27.5) | | | | | 5-1/4 | 133 | TWL30-133 | (4.1) | (15.7) | (4.3) | (62.7) |
| 3 | 77 | TWL15-077 | | | | | | | | | 5-5/16 | 135 | TWL30-135 | | | | |
| 3-1/16 | 78 | TWL15-313 | 66.5 | 313 | 88 | 13 | | | | | 5-3/8 | | TWL30-538 | | | | |
| 3-1/8 | 80 | TWL15-080 | (2.6) | (12.3) | (3.5) | (28.6) | | | | | 5-7/16 | 138 | TWL30-138 | | | | |
| 3-3/16 | 81 | TWL15-081 | | | | | | | | | 5-1/2 | 140 | TWL30-140 | | | | |
| 3-1/4 | 83 | TWL15-083 | | | | | | | | | 5-9/16 | 141 | TWL30-141 | | | | |
| 3-5/16 | 84 | TWL15-084 | | | | | | | | | 5-5/8 | 143 | TWL30-143 | 110 | 400 | 109 | 28.5 |
| 3-3/8 | 85 | TWL15-085 | 72 | 313 | 8 | 13.5 | 77 | 393 | 104 | 26.5 | 5-11/16 | 144 | TWL30-144 | (4.3) | (15.7) | (4.3) | (62.7) |
| 3-7/16 | 87 | TWL15-087 | (2.8) | (12.3) | (0.3) | (29.7) | (3.0) | (15.5) | (4.1) | (58.3) | | 145 | TWL30-145 | | | | |
| 3-1/2 | 89 | TWL15-089 | | | | | | | | | 5-3/4 | 146 | TWL30-146 | | | | |
| | 90 | TWL15-090 | | | | | | | | | 5-13/16 | 148 | TWL30-148 | | | | |
| 3-9/16 | 91 | TWL15-091 | | | | | | | | | 5-7/8 | 149 | TWL30-149 | | | | |
| 3-5/8 | 92 | TWL15-092 | | | | | | | | | | 150 | TWL30-150 | | | | |
| 3-11/16 | 94 | TWL15-094 | 78 | 316 | 80 | 13.5 | 83 | 393 | 104 | 26.5 | 5-15/16 | 151 | TWL30-151 | 116 | 400 | 109 | 29.5 |
| 3-3/4 | 95 | TWL15-095 | (3.1) | (12.4) | (3.1) | (29.7) | (3.3) | (15.5) | (4.1) | (58.3) | 6 | 152 | TWL30-152 | (4.6) | (15.7) | (4.3) | (64.9) |
| 3-13/16 | 97 | TWL15-097 | | | | | | | | | 6-1/16 | 154 | TWL30-154 | | | | |
| 3-7/8 | 99 | TWL15-388 | | | | | | | | | 6-1/8 | 155 | TWL30-155 | | | | |
| 3-15/16 | 100 | TWL15-100 | | | | | | | | | | | | | | | |
| 4 | 102 | TWL15-102 | | | | | | | | | | | | | | | |
| 4-1/16 | 103 | TWL15-103 | 82.5 | 316 | 80 | 14 | | | | | | | | | | | |
| 4-1/8 | 105 | TWL15-105 | (3.2) | (12.4) | (3.1) | (30.8) | 89 | 393 | 104 | 27.5 | | | | | | | |
| 4-3/16 | 106 | TWL15-106 | | | | | (3.5) | (15.5) | (4.1) | (60.5) | | | | | | | |
| 4-1/4 | 108 | TWL15-425 | | | | | | | | | | | | | | | |
| 4-5/16 | 110 | TWL15-110 | | | | | | | | | | | | | | | |
| 4-3/8 | 111 | TWL15-111 | | | | | | | | | | | | | | | |
| 4-7/16 | 113 | TWL15-113 | | | | | | | | | | | | | | | |
| 4-1/2 | 114 | TWL15-114 | 87.5 | 316 | 80 | 14 | 92 | 393 | 104 | 27.5 | | | | | | | |
| | 115 | TWL15-115 | (3.4) | (12.4) | (3.1) | (30.8) | (3.6) | (15.5) | (4.1) | (60.5) | | | | | | | |
| 4-9/16 | 116 | TWL15-116 | | | | | | | | | | | | | | | |
| 4-5/8 | | TWL15-463 | | | | | | | | | | | | | | | |
| 4-11/16 | 119 | | | | | | 99 | 400 | 109 | 28.5 | | | | | | | |
| 4-3/4 | 120 | | | | | | (3.9) | (15.7) | (4.3) | (62.7) | | | | | | | |

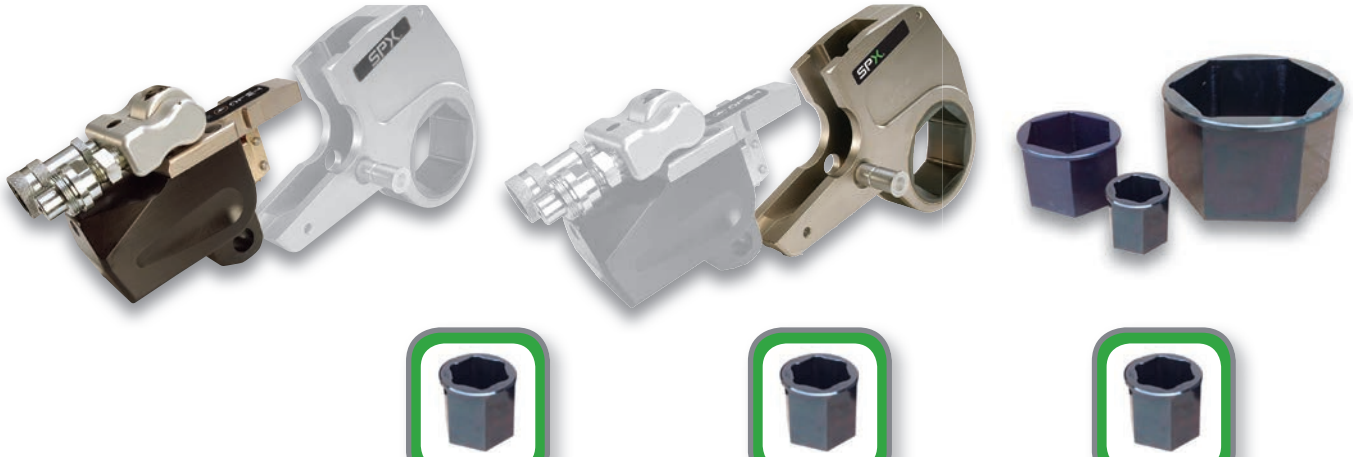


MORE SOLUTIONS ON NEXT PAGE

TORQUE WRENCH LOW CLEARANCE REDUCERS - TWLC

Drive Body, Links & Reducers

Special sizes available upon request.



Specifications and Dimensional Data

| Body Order No. | Link Order No. | Nut A/F | | Reducer | | | Reducer | | | Reducer | | |
|-------------------|-------------------|---------|-----------------|-----------------|-------------|---------------|------------------|-------------|----------------|-----------------|-------------|-------------|
| | | in | mm | in | mm | Order No. | in | mm | Order No. | in | mm | Order No. |
| TWLC2 | TWL2-032 | 1-1/4 | 32 | - | - | - | - | - | - | - | - | - |
| | TWL2-036 | 1-7/16 | 36 | - | - | - | - | - | - | - | - | - |
| | TWL2-041 | 1-5/8 | 41 | 1-5/8 - 1-7/16 | 41-36mm | TWR2-041036 | 1-5/8 - 1-1/4 | 41-32mm | TWR2-041032 | - | - | - |
| | TWL2-046 | 1-13/16 | 46 | 1-13/16 - 1-5/8 | 46-41mm | TWR2-046041 | 1-13/16 - 1-7/16 | 46-36mm | TWR2-046036 | 1-13/16 - 1-1/4 | 46-32mm | TWR2-046032 |
| | TWL2-050 | 2 | 50 | 2 - 1-13/16 | 50-46mm | TWR2-050046 | 2 - 1-5/8 | 50-41mm | TWR2-050041 | 2 - 1-7/16 | 50-36mm | TWR2-050036 |
| | TWL2-055 | 2-3/16 | 55 | 2-3/16 - 2 | 55-50mm | TWR2-055050 | 2-3/16 - 1-13/16 | 55-46mm | TWR2-055046 | 2-3/16 - 1-5/8 | 55-41mm | TWR2-055041 |
| | TWL2-060 | 2-3/8 | 60 | 2-3/8 - 2-3/16 | 60-55mm | TWR2-060055 | 2-3/8 - 2 | 60-50mm | TWR2-060050 | 2-3/8 - 1-13/16 | 60-46mm | TWR2-060046 |
| TWLC4 | TWL4-041 | 1-5/8 | 41 | 1-5/8 - 1-7/16 | 41-36mm | TWR4-041036 | 1-5/8 - 1-1/4 | 41-32mm | TWR4-041032 | - | - | - |
| | TWL4-046 | 1-13/16 | 46 | 1-13/16 - 1-5/8 | 46-41mm | TWR4-046041 | 1-13/16 - 1-7/16 | 46-36mm | TWR4-046036 | 1-13/16 - 1-1/4 | 46-32mm | TWR4-046032 |
| | TWL4-050 | 2 | 50 | 2 - 1-13/16 | 50-46mm | TWR4-050046 | 2 - 1-5/8 | 50-41mm | TWR4-050041 | 2 - 1-7/16 | 50-36mm | TWR4-050036 |
| | TWL4-055 | 2-3/16 | 55 | 2-3/16 - 2 | 55-50mm | TWR4-055050 | 2-3/16 - 1-13/16 | 55-46mm | TWR4-055046 | 2-3/16 - 1-5/8 | 55-41mm | TWR4-055041 |
| | TWL4-060 | 2-3/8 | 60 | 2-3/8 - 2-3/16 | 60-55mm | TWR4-060055 | 2-3/8 - 2 | 60-50mm | TWR4-060050 | 2-3/8 - 1-13/16 | 60-46mm | TWR4-060046 |
| | TWL4-065 | 2-9/16 | 65 | 2-9/16 - 2-3/8 | 65-60mm | TWR4-065060 | 2-9/16 - 2-3/16 | 65-55mm | TWR4-065055 | 2-9/16 - 2 | 65-50mm | TWR4-065050 |
| | TWL4-070 | 2-3/4 | 70 | 2-3/4 - 2-9/16 | 70-65mm | TWR4-070065 | 2-3/4 - 2-3/8 | 70-60mm | TWR4-070060 | 2-3/4 - 2-3/16 | 70-55mm | TWR4-070055 |
| | TWL4-075 | 2-15/16 | 75 | 2-15/16 - 2-3/4 | 75-70mm | TWR4-075070 | 2-15/16 - 2-9/16 | 75-65mm | TWR4-075065 | 2-15/16 - 2-3/8 | 75-60mm | TWR4-075060 |
| TWL4-080 | 3-1/8 | 80 | 3-1/8 - 2-15/16 | 80-75mm | TWR4-080075 | 3-1/8 - 2-3/4 | 80-70mm | TWR4-080070 | 3-1/8 - 2-9/16 | 80-65mm | TWR4-080065 | |
| TWLC8 | TWL8-060 | 2-3/8 | 60 | 2-3/8 - 2-3/16 | 60-55mm | TWR8-060055 | 2-3/8 - 2 | 60-50mm | TWR8-060050 | 2-3/8 - 1-13/16 | 60-46mm | TWR8-060046 |
| | TWL8-065 | 2-9/16 | 65 | 2-9/16 - 2-3/8 | 65-60mm | TWR8-065060 | 2-9/16 - 2-3/16 | 65-55mm | TWR8-065055 | 2-9/16 - 2 | 65-50mm | TWR8-065050 |
| | TWL8-070 | 2-3/4 | 70 | 2-3/4 - 2-9/16 | 70-65mm | TWR8-070065 | 2-3/4 - 2-3/8 | 70-60mm | TWR8-070060 | 2-3/4 - 2-3/16 | 70-55mm | TWR8-070055 |
| | TWL8-075 | 2-15/16 | 75 | 2-15/16 - 2-3/4 | 75-70mm | TWR8-075070 | 2-15/16 - 2-9/16 | 75-65mm | TWR8-075065 | 2-15/16 - 2-3/8 | 75-60mm | TWR8-075060 |
| | TWL8-080 | 3-1/8 | 80 | 3-1/8 - 2-15/16 | 80-75mm | TWR8-080075 | 3-1/8 - 2-3/4 | 80-70mm | TWR8-080070 | 3-1/8 - 2-9/16 | 80-65mm | TWR8-080065 |
| | TWL8-085 | 3-3/8 | 85 | 3-3/8 - 3-1/8 | 85-80mm | TWR8-085080 | 3-3/8 - 2-15/16 | 85-65mm | TWR8-085065 | 3-3/8 - 2-3/4 | 85-70mm | TWR8-085070 |
| | TWL8-090 | 3-1/2 | 90 | 3-1/2 - 3-3/8 | 90-85mm | TWR8-090085 | 3-1/2 - 3-1/8 | 90-80mm | TWR8-090080 | 3-1/2 - 2-15/16 | 90-75mm | TWR8-090075 |
| | TWL8-095 | 3-3/4 | 95 | 3-3/4 - 3-1/2 | 95-90mm | TWR8-095090 | 3-3/4 - 3-3/8 | 95-85mm | TWR8-095085 | 3-3/4 - 3-1/8 | 95-80mm | TWR8-095080 |
| TWL8-100 | 3-7/8 | 100 | 3-7/8 - 3-3/4 | 100-95mm | TWR8-100095 | 3-7/8 - 3-1/2 | 100-90mm | TWR8-100090 | 3-7/8 - 3-3/8 | 100-85mm | TWR8-100085 | |

12 point links available upon request. Please contact factory.

Ordering Information

TO SPECIFY A TWLC SOLUTION:

1. Find a link for your application (nut size) (page 28-29)
2. Choose the appropriate Drive body (page 27)
3. Add reducers for additional nut sizes (pages 30-31)

Please order Drive Body and Link separately and pay attention to the same size, for Example TWLC2 and TWL2-041.



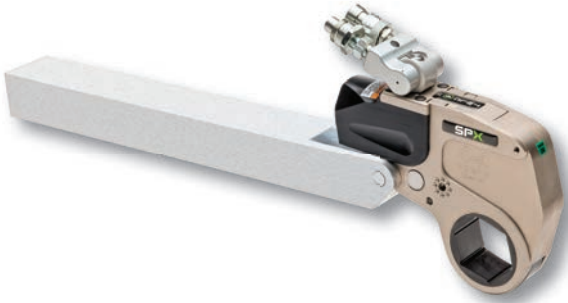
Specifications and Dimensional Data

| Body Order No. | Link Order No. | Nut A/F | | Reducer | | | Reducer | | | Reducer | | |
|-------------------|-------------------|---------|---------------|-----------------|--------------|---------------|------------------|--------------|---------------|-----------------|--------------|--------------|
| | | in | mm | in | mm | Order No. | in | mm | Order No. | in | mm | Order No. |
| TWLC15 | TWL15-070 | 2-3/4 | 70 | 2-3/4 - 2-9/16 | 70 - 65mm | TWR15-070065 | 2-3/4 - 2-3/8 | 70-60mm | TWR15-070060 | 2-3/4 - 2-3/16 | 70-55mm | TWR15-070055 |
| | TWL15-075 | 2-15/16 | 75 | 2-15/16 - 2-3/4 | 75-70mm | TWR15-075070 | 2-15/16 - 2-9/16 | 75-65mm | TWR15-075065 | 2-15/16 - 2-3/8 | 75-60mm | TWR15-075060 |
| | TWL15-080 | 3-1/8 | 80 | 3-1/8 - 2-15/16 | 80-75mm | TWR15-080075 | 3-1/8 - 2-3/4 | 80-70mm | TWR15-080070 | 3-1/8 - 2-9/16 | 80-65mm | TWR15-080065 |
| | TWL15-085 | 3-3/8 | 85 | 3-3/8 - 3-1/8 | 85-80mm | TWR15-085080 | 3-3/8 - 2-15/16 | 85-65mm | TWR15-085065 | 3-3/8 - 2-3/4 | 85-70mm | TWR15-085070 |
| | TWL15-090 | 3-1/2 | 90 | 3-1/2 - 3-3/8 | 90-85mm | TWR15-090085 | 3-1/2 - 3-1/8 | 90-80mm | TWR15-090080 | 3-1/2 - 2-15/16 | 90-75mm | TWR15-090075 |
| | TWL15-095 | 3-3/4 | 95 | 3-3/4 - 3-1/2 | 95-90mm | TWR15-095090 | 3-3/4 - 3-3/8 | 95-85mm | TWR15-095085 | 3-3/4 - 3-1/8 | 95-80mm | TWR15-095080 |
| | TWL15-100 | 3-7/8 | 100 | 3-7/8 - 3-3/4 | 100-95mm | TWR15-100095 | 3-7/8 - 3-1/2 | 100-90mm | TWR15-100090 | 3-7/8 - 3-3/8 | 100-85mm | TWR15-100085 |
| | TWL15-105 | - | 105 | - | 105-100mm | TWR15-105100 | - | 105-95mm | TWR15-105095 | - | 105-90mm | TWR15-105090 |
| | TWL15-425 | 4-1/4 | - | 4-1/4 - 3-7/8 | - | TWR15-425388 | 4-1/4 - 3-3/4 | - | TWR15-425375 | 4-1/4 - 3-1/2 | - | TWR15-425350 |
| | TWL15-110 | - | 110 | - | 110-105mm | TWR15-110105 | - | 110-100mm | TWR15-110010 | - | 110-95mm | TWR15-110095 |
| | TWL15-115 | - | 115 | - | 115-110mm | TWR15-115110 | - | 115-105mm | TWR15-115105 | - | 115-100mm | TWR15-115100 |
| TWL15-463 | 4-5/8 | - | 4-5/8 - 4-1/4 | - | TWR15-463425 | 4-5/8 - 3-7/8 | - | TWR15-463388 | 4-5/8 - 3-3/4 | - | TWR15-463375 | |
| TWLC30 | TWL30-080 | 3-1/8 | 80 | 3-1/8 - 2-15/16 | 80-75mm | TWR30-080075 | 3-1/8 - 2-3/4 | 80-70mm | TWR30-080070 | 3-1/8 - 2-9/16 | 80-65mm | TWR30-080065 |
| | TWL30-085 | 3-3/8 | 85 | 3-3/8 - 3-1/8 | 85-80mm | TWR30-085080 | 3-3/8 - 2-15/16 | 85-65mm | TWR30-085065 | 3-3/8 - 2-3/4 | 85-70mm | TWR30-085070 |
| | TWL30-090 | 3-1/2 | 90 | 3-1/2 - 3-3/8 | 90-85mm | TWR30-090085 | 3-1/2 - 3-1/8 | 90-80mm | TWR30-090080 | 3-1/2 - 2-15/16 | 90-75mm | TWR30-090075 |
| | TWL30-095 | 3-3/4 | 95 | 3-3/4 - 3-1/2 | 95-90mm | TWR30-095090 | 3-3/4 - 3-3/8 | 95-85mm | TWR30-095085 | 3-3/4 - 3-1/8 | 95-80mm | TWR30-095080 |
| | TWL30-100 | 3-7/8 | 100 | 3-7/8 - 3-3/4 | 100-95mm | TWR30-100095 | 3-7/8 - 3-1/2 | 100-90mm | TWR30-100090 | 3-7/8 - 3-3/8 | 100-85mm | TWR30-100085 |
| | TWL30-105 | - | 105 | - | 105-100mm | TWR30-105100 | - | 105-95mm | TWR30-105095 | - | 105-90mm | TWR30-105090 |
| | TWL30-425 | 4-1/4 | - | 4-1/4 - 3-7/8 | - | TWR30-425388 | 4-1/4 - 3-3/4 | - | TWR30-425375 | 4-1/4 - 3-1/2 | - | TWR30-425350 |
| | TWL30-110 | - | 110 | - | 110-105mm | TWR30-110105 | - | 110-100mm | TWR30-110010 | - | 110-95mm | TWR30-110095 |
| | TWL30-115 | - | 115 | - | 115-110mm | TWR30-115110 | - | 115-105mm | TWR30-115015 | - | 115-100mm | TWR30-115100 |
| | TWL30-463 | 4-5/8 | - | 4-5/8 - 4-1/4 | - | TWR30-463425 | 4-5/8 - 3-7/8 | - | TWR30-463388 | 4-5/8 - 3-3/4 | - | TWR30-463375 |
| | TWL30-120 | - | 120 | - | 120-115mm | TWR30-120115 | - | 120-110mm | TWR30-120110 | - | 120-105mm | TWR30-120105 |
| | TWL30-500 | 5 | - | 5 - 4-5/8 | - | TWR30-500463 | 5 - 4-1/4 | - | TWR30-500425 | 5 - 3-7/8 | - | TWR30-500388 |
| | TWL30-130 | - | 130 | - | 130-120mm | TWR30-130120 | - | 130-115mm | TWR30-130115 | - | 130-110mm | TWR30-130110 |
| | TWL30-135 | 5-3/8 | 135 | 5-3/8 - 5 | 135-125mm | TWR30-135125 | 5-3/8 - 4-5/8 | 135-120mm | TWR30-135120 | 5-3/8 - 4-1/4 | 135-115mm | TWR30-135115 |
| | TWL30-145 | 5-3/4 | 145 | | | | | | | | | |
| | TWL30-150 | - | 150 | | | | | | | | | |
| | TWL30-155 | 6-1/8 | 155 | | | | | | | | | |

AVAILABLE UPON REQUEST

TORQUE WRENCH REACTION ARMS - TWLC

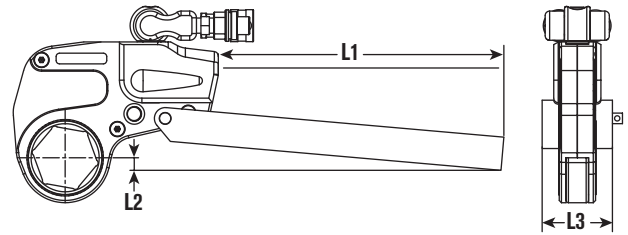
TWLC REACTION BAR TWLC-RB



- In-Line Extension Reaction Bar for TWLC wrench: allows extended reach on the same plane
- Pin engagement, no tools required
- Available for full range of tool sizes

SPX Bolting Systems offer a varied range of alternative and optional reaction accessories, which help to find a reaction point solution no matter how unusual the bolted application is.

Specifications and Dimensional Data



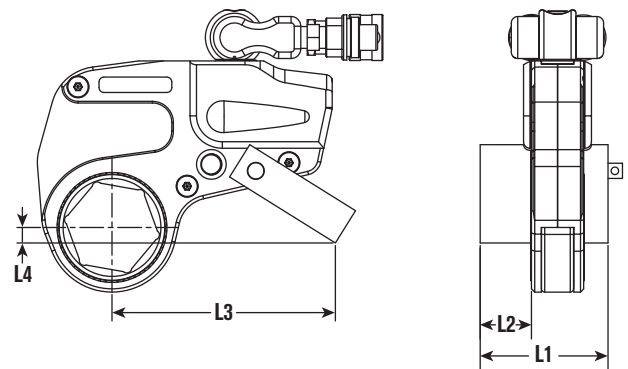
| Tool Ref | Order No. | L1 | | L2 | | L3 | |
|----------|-----------|-----|----|----|------|-----|------|
| | | mm | in | mm | in | mm | in |
| TWLC2 | TWLC2-RB | 381 | 15 | 28 | 1.10 | 55 | 2.17 |
| TWLC4 | TWLC4-RB | 457 | 18 | 35 | 1.38 | 66 | 2.60 |
| TWLC8 | TWLC8-RB | 457 | 18 | 37 | 1.46 | 85 | 3.35 |
| TWLC15 | TWLC15-RB | 508 | 20 | 40 | 1.57 | 102 | 4.01 |
| TWLC30 | TWLC30-RB | 508 | 20 | 35 | 1.38 | 127 | 5 |

TWLC REACTION PADDLE TWLC-RP



- Off-Set Reaction Arm for TWLC wrench: allows off-set reaction within wrench profile
- Pin engagement, no tools required
- Light alloy construction
- Available for full range of tool

Specifications and Dimensional Data



| Tool Ref | Order No. | L1 | | L2 | | L3 | | L4 | |
|----------|-----------|-------|-------|----|------|-----|-------|----|------|
| | | mm | in | mm | in | mm | in | mm | in |
| TWLC2 | TWLC2-RP | 84 | 3.31 | 35 | 1.38 | 142 | 5.59 | 13 | 0.51 |
| TWLC4 | TWLC4-RP | 109 | 4.29 | 46 | 1.81 | 178 | 7.01 | 19 | 0.75 |
| TWLC8 | TWLC8-RP | 136,5 | 5.37 | 57 | 2.25 | 220 | 8.66 | 26 | 1.02 |
| TWLC15 | TWLC15-RP | 165 | 6.50 | 70 | 2.76 | 252 | 9.92 | 45 | 1.77 |
| TWLC30 | TWLC30-RP | 200 | 7.874 | 86 | 3.39 | 317 | 12.48 | 44 | 1.73 |

**HAVE A UNIQUE APPLICATION?
DOES STANDARD PRODUCT NOT FIT?**



CUSTOM REACTION PADS AND REDUCERS ARE AVAILABLE.

Contact SPX or an authorized distributor for more details

**WHEN NOTHING ELSE WILL WORK,
SPLIT ADAPTERS ARE MADE TO
ORDER AND AVAILABLE UPON
REQUEST.**



**TWLC15 split adapter,
closed position**



**TWLC15 split adapter,
open position**