

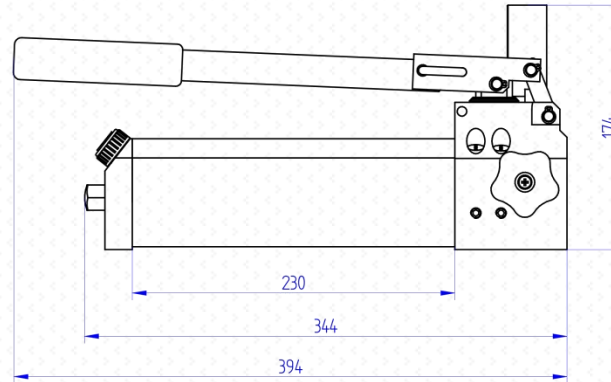
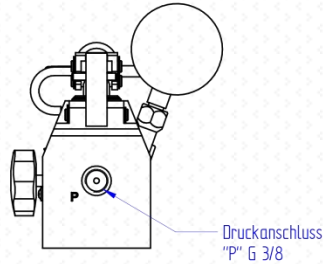
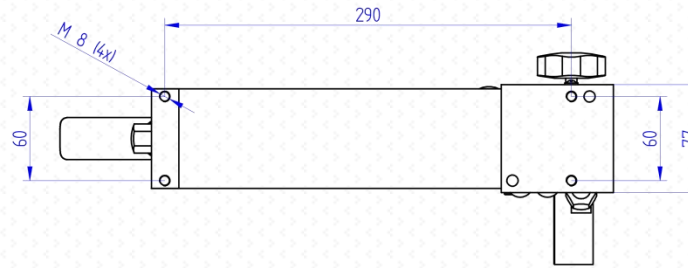
# WH-1

## 700 Bar

### Double Speed Hydraulic Hand Pumps



- Working pressure 700 bar max
- Double acting, double speed operation
- Pump head and tank made of aluminium
- Compact, lightweight ergonomic design
- 1000 Bar Ø63 gauge as standard available
- Internal pressure relief valve for overload protection
- Double acting available with WV4/3 way control valve
- Made in Germany with CE Mark and ISO9001 certified



Model	WH-1	
Reservoir Capacity	cm <sup>3</sup>	700
Usable Oil Capacity	cm <sup>3</sup>	500
Oil Displacement per stroke	cm <sup>3</sup>	7,2 / 0,9
Maximum Handle Effort at 700 bar	kg	35
Piston stroke	mm	20 / 07
Piston Diameter	mm	23
Oil Port Thread	NPT	3/8"
Weight incl. Oil	kg	4,3
Sizes (E x B x C)	mm	394 x 77 x 174

**Surkon Makina Sanayi Ticaret Limited Şirketi**

İvedik Org. San. Bölgesi - Özpetek Sanayi Sitesi 1390 Sokak.- No: 12 – TR-06378 – Yenimahalle / ANKARA Tel: (0 312) 386 14 64 / Faks: (0 312) 386 14 88  
e-mail : [eposta@surkon.com](mailto:eposta@surkon.com) [www.surkonmakina.com](http://www.surkonmakina.com)

**SURKON**<sup>®</sup>  
INTERNATIONAL